

## Wheatstone Bridge Wiring (Circuits fall 2020)

Below are two representations of the **Wheatstone Bridge**. They only differ in how they are drawn, but they really are the same circuit. Use the breadboard figure to indicate where and how you will connect resistors, the potentiometer, the power source, and measurement probes. Block off space taken up by your Feather 32u4 board. The main idea is to plan what you will actually build in the lab. This is the Circuits version of *Measure twice, cut once*

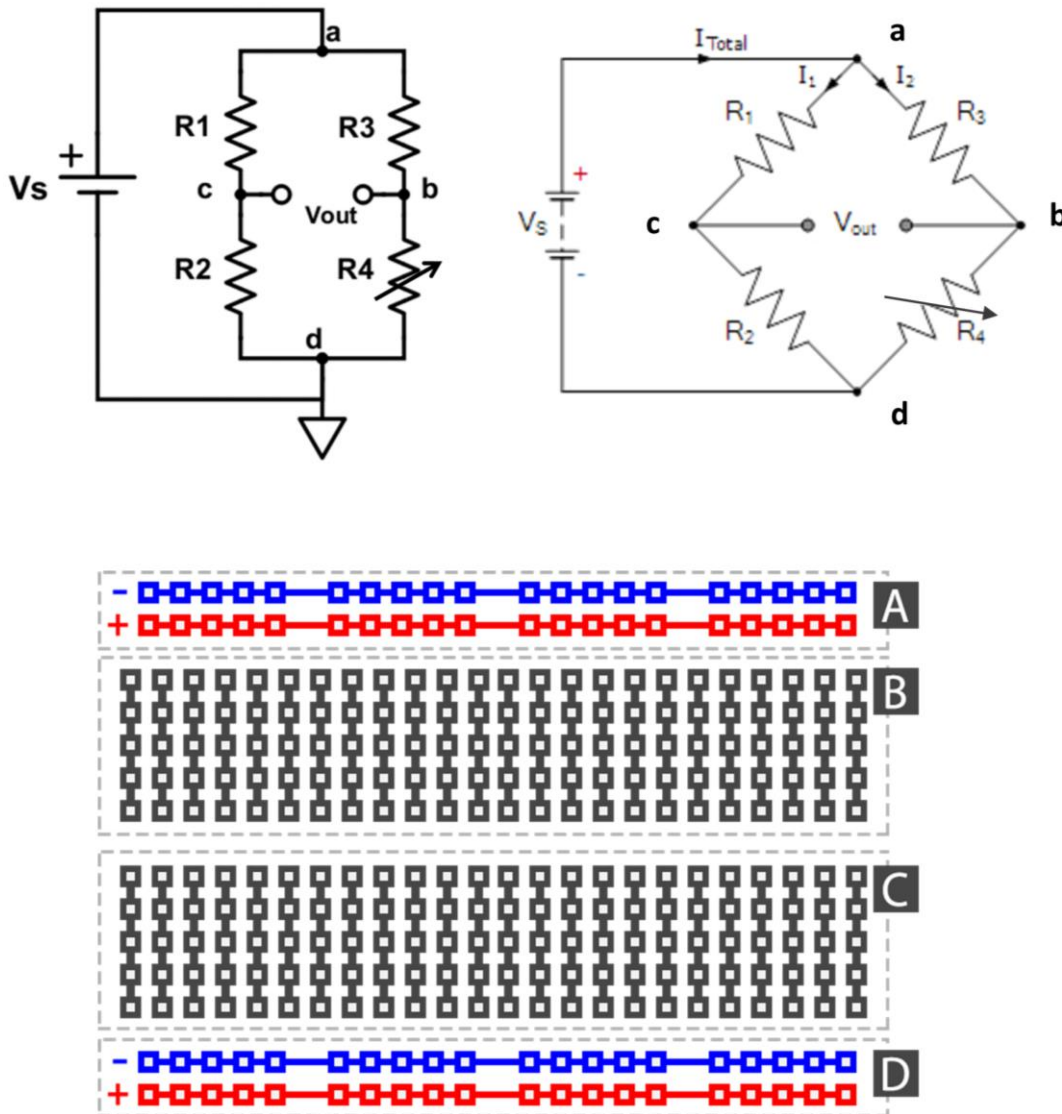


Figure 1. Top left: Wheatstone bridge drawn using Digkey schemait. Upper right: alternative representation of the WB. Image credit/adapted from: <https://www.electronicstutorials.ws/blog/wheatstone-bridge.html>. Bottom: breadboard connection diagram.